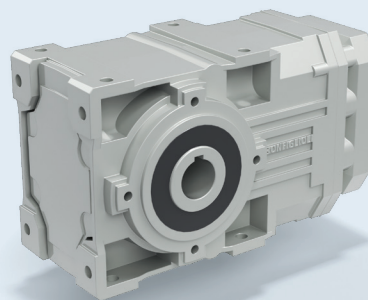


## HELICAL BEVEL

### A Series

The A series Combines high efficiency and reliability, low maintenance costs and a wide torque range. The right-angle layout between input and output makes the A series particularly compact.

The gear set combination makes this right-angle product the most efficient and durable in the Bonfiglioli light and medium-duty portfolio.



ATEX AVAILABLE

### MAIN BENEFITS

- Reduced installation space
- Wide output speed range
- High stiffness for dynamic application
- Safe operation in potentially explosive atmospheres

### MAIN OPTIONS

Stages			Version	Torque arm	Adapter			
2 STAGES	3 STAGES	4 STAGES	FLANGE	TORQUE ARM	IEC	COMPACT	NEMA	SERVO
Oil seal (single/double)			Oil type		Valve	Surface protection		
TACONITE	NBR	FKM	SYNTHETIC	FOOD GRADE	BREATHER PLUG	PAINTING CLASS UP TO C5		
Cover	Backlash	Backstop	Output Shaft (metric or imperial)			Bearings		
SAFETY COVER	REDUCED BACKLASH	BACKSTOP	HOLLOW SHAFT (keyed or with shrink disk or splined)	SOLID SINGLE	SOLID DOUBLE	REINFORCED BEARINGS		

### TECHNICAL DATA

Sizes	Nominal torque <sup>(1)</sup>	Gear ratio range	Max. adapter size	
	[Nm]		i	IEC
A 05	100	5.5 - 91.6	63-80	56C-140TC
A 10	150	5.5 - 91.6	63-112	56C-180TC
A 20	250	5.4 - 380.9	63-112	56C-180TC
A 30	410	5.4 - 400.8	63-112	56C-180TC
A 35	600	5.4 - 393.2	63-132	56C-210TC
A 41	850	5.2 - 376.8	63-132	56C-210TC
A 50	1,500	7.7 - 778.2	63-180	56C-280TC
A 55	2,000	4.9 - 793.0	63-180	56C-280TC
A 60	2,800	7.9 - 755.4	63-180	56C-280TC
A 70	5,000	9.4 - 1715.0	63-200	56C-280TC
A 80	8,000	9.8 - 1558.0	63-225	56C-320TC
A 90	14,000	9.7 - 1632.0	63-250	56C-320TC

(1) The Nominal Torque is the torque rating representative of the size. The value can change with gear ratio.